

# SMS ICON WAYFINDER



## Finding your way.

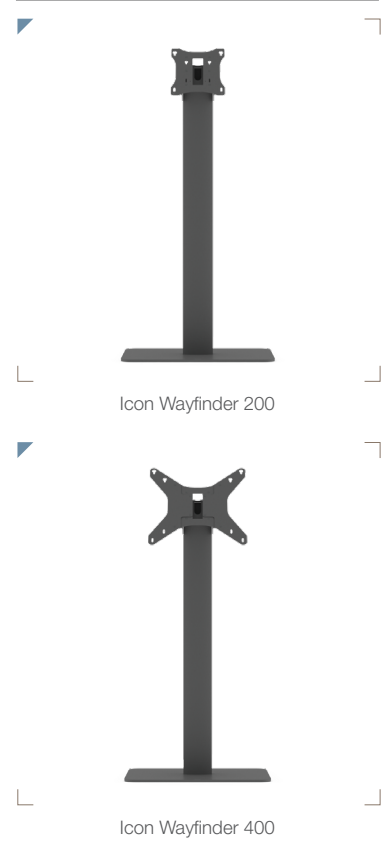
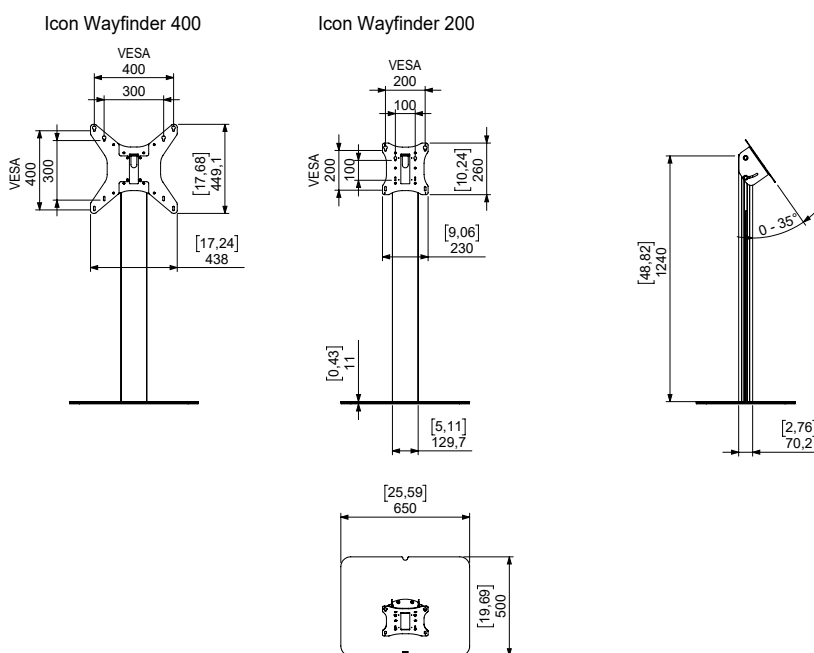
SMS Icon Wayfinder is a simple, yet elegant solution for a wide range of applications. This floorstand is the perfect match for touch displays to help visitors finding their way in indoor environments such as stores, hospitals, offices, or trade shows. It can make a shopping experience more interactive, or help with customer service.

The SMS Icon Wayfinder 200 fits touch displays with VESA 100x100 and 200x200, and the Icon Wayfinder 400 fits touch displays with VESA 300x300 and 400x400.

The pillar length is 1240 mm and cables can be routed through the stand for a clean and elegant installation.

### ▲ TECHNICAL DRAWING (INCH/MM)

K101-001-2, K101-002-2 / ICON WAYFINDER 200, ICON WAYFINDER 400



### ▲ INFO

**FINISH:** Anthracite Grey

**MAXIMUM LOAD:** 30 kg

**MINIMUM VESA:** 100 x 100 (choose Icon Wayfinder 200)

**MAXIMUM VESA:** 400 x 400 (choose Icon Wayfinder 400)

**TILT:** The display can be tilted 0 to -35°

**RECOMMENDED DISPLAY SIZE:** up to 46"

**WARRANTY:** 5 years.

### ▲ ARTICLE NUMBERS

K101-001-2 Icon Wayfinder 200  
K101-002-2 Icon Wayfinder 400