



The innovative design of the Global Caché iTach allows for easy and flexible integration into any networked control solution.

With the Global Caché iTach series you can integrate Infrared, RS-232 or contact closure controllable devices into your network within minutes.

All bus devices are available either as WiFi version or TCP/IP wired version.

The IR devices have three infrared outputs, the relay version has 3 contacts, and the serial version comes with one RS-232 interface.

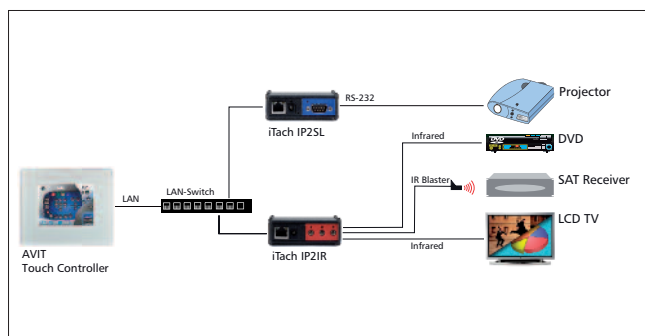
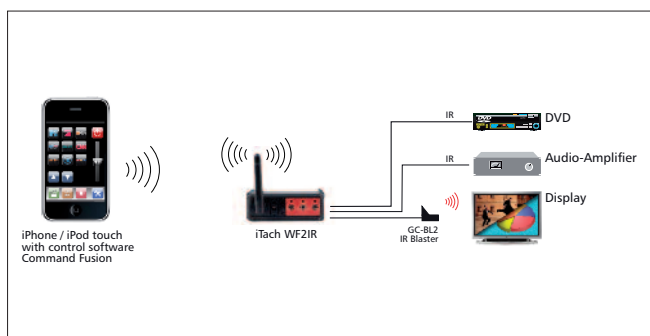
Power-over-Ethernet is also an option.

The compact design and little weight of the devices facilitate a simple, fast and space saving installation.

You can configure the device or easily upgrade the firmware at any time via the embedded web server.

### Characteristics

- 8,2 x 5,7 x 3,2 cm at a weight of just 92 g
- Professional quality, designed for continuous operation
- Wired and wireless versions available
- Supports up to 8 TCP/IP connections at the same time
- Compact design
- Connects virtually all controllable devices constantly with a network or the internet
- WLAN 802.11 b
- Supports WLAN Ad-Hoc and WLAN infrastructure mode
- Direct connection to an Apple iPod touch\* / iPhone\* possible



*control solutions with Global Caché iTach*

### Specifications

Model	Description	Connections	Dimensions (W x H x D) in mm	Cat.-No.
iTach Wifi Rel	WLAN 802.11b, 2,5" antenna, 3 x relays, screw connections, contact closure with switching for the suppression of transient disturbances,	3 x relay screw connections 24V AC/DC@ 0,5 A	82 x 32 x 75	770005
iTach Wifi IR	WLAN 802.11b, 2,5" antenna 3,5 mm mono audio jack, IR learner integrated 3 IR diodes included 1 IR blaster included	3 IR ports, 3rd port supports the IR blaster 3,5 mm mono audio jack		771006
iTach Wifi Serial	WLAN 802.11b, 2,5" Antenna 1x serial port male DB9, RS-232 from 1200 baud to 57,6 Kbaud Flow control: bi-directional hardware RTS/CTS and parity	1 x serial port Male DB9		770006
iTach LAN Rel	LAN RJ45, 10/100 Mbps Contact closure with switching for the suppression of transient disturbances	3 x relay screw connections 24V AC/DC@ 0,5 A		770007
iTach LAN IR	LAN RJ45, 10/100MBit 3,5 mm mono audio jack, IR learner integrated 3 IR diodes included 1 IR blaster included	3 IR ports, 3rd port supports the IR blaster 3,5 mm mono audio jack		771007
iTach LAN Serial	LAN RJ45, 10/100Mbps 1x serial port male DB9, RS-232 from 1200 baud to 57,6 Kbaud Flow control: bi-directional hardware RTS/CTS and parity power supply 12V DC@500mA included	1 x serial port Male DB9		770008
iTach PoE Rel	PoE 802.3af compatible, Power over Ethernet LAN RJ45, 10/100Mbps Contact closure with switching for the suppression of transient disturbances	3 x relay screw connections 24V AC/DC@ 0,5 A		770009
iTach PoE IR	PoE 802.3af compatible, Power over Ethernet LAN RJ45, 10/100Mbps IR learner integrated 3 IR diodes included 1 IR blaster included	3 IR ports, 3rd port supports the IR blaster 3,5 mm mono audio jack		771008
iTach PoE Seriell	PoE 802.3af compatible, Power over Ethernet LAN RJ45, 10/100Mbps RS-232 from 1200 baud to 57,6 Kbaud Flow control: bi-directional, incl. hardware RTS/CTS and parity	1 x serial port Male DB9		770010
<p><b>All devices:</b> power supply 12V DC@500mA  <b>Weight:</b> 92 gram, 171 gram (with power supply)  <b>Material:</b> Aluminium extrusion case, rubber end caps, plastic face plates</p>				

subject to change without notice