

Overview

The CBR Series is a new lineup of passive loudspeakers developed by adopting the extensive knowledge of speaker design and acoustic technologies that Yamaha has accrued over a long and storied history of making speakers of every kind. Combining a meticulous materials selection process, thorough customization of the audio components, and a fresh, innovative approach to speaker design, our engineering team's primary focus was to deliver high-power, high-definition sound in a highly portable and versatile design that is equally at home in front-of-house, floor monitoring, or rigged configurations. The CBR10 is the most compact model in its series. While delivering astonishing power for its size and weight, the CBR10 is ideal for both portable and installed applications.



Features

- 10" 2-Way Loudspeaker
- Custom-designed transducers and top-quality components add up to unequalled performance
- Extremely accurate 90 x 60 constant directivity horn
- Durable, compact plastic enclosures
- Floor monitoring angle
- Input connectors supporting both speakON and phone plugs
- Installable with eye bolt rigging and brackets

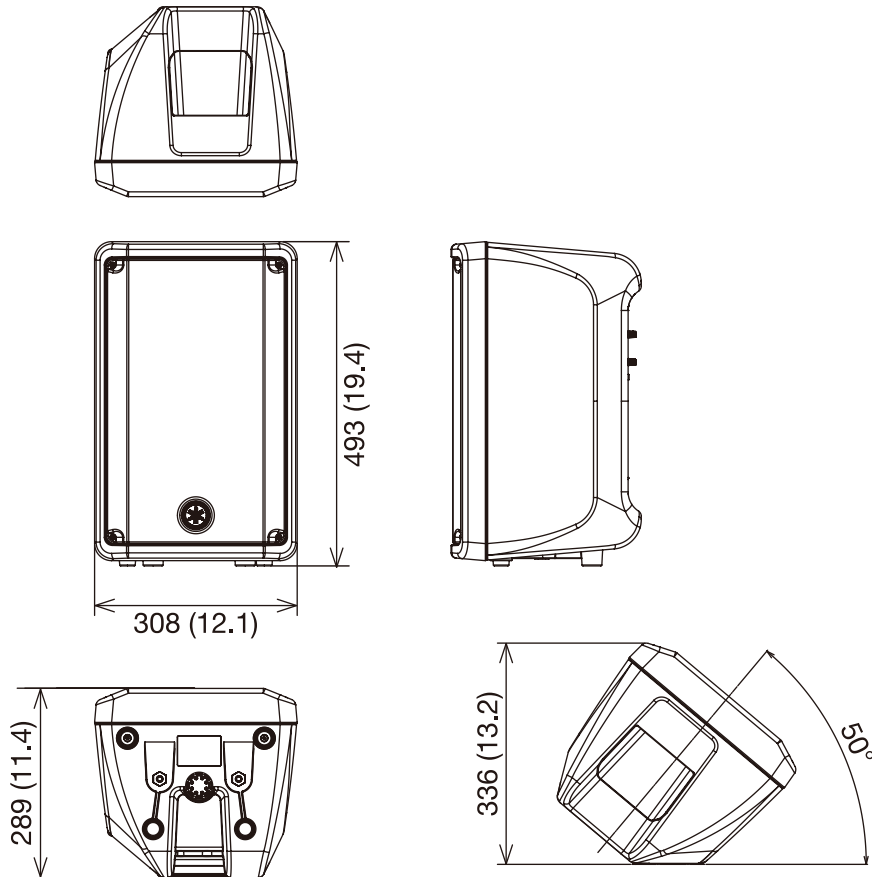
Specifications

General Specifications

System Type		2-way Speaker, Bass-reflex Type
Components	LF	10" cone, 2" voice coil, Ferrite Magnet
	HF	1" compression driver, 1" throat, Ferritex Magnet
Frequency Range	(-10dB)	50Hz-20kHz
Crossover Frequency		2.8kHz
Coverage Angle (Horizontal x Vertical)		90° x 60° Constant directivity horn
Nominal Impedance		8Ω
Power Rating	NOISE	175W
	PGM	350W
	MAX	700W
Sensitivity (1W, 1m)		94dB SPL
Maximum SPL (Calculated, 1m)		123dB SPL
Floor Monitor Angle		50°
Connectors		1/4" Phone x 1, speakON NL4MP x 1
Rigging Points		Bottom x 2 (Fit for M8 x 15mm Eyebolts)
Pole Socket		Ø35mm (Bottom x 1)
Handle		Top x 1
Material, Finish, Color		Plastic, Black
Dimensions (W×H×D)		308mm x 493mm x 389mm (12.1" x 19.4" x 11.4") with rubber feet
Net Weight		9.4kg (20.7lbs)
Packaging		Single
Optional Accessories		BBS251, BCS251, BWS251-300, BWS251-400, SPCVR-1001

Dimensions

Unit: mm (inch)



Options

- Baton Bracket BBS251
- Ceiling Bracket BCS251
- Wall Bracket BWS251-300
- Wall Bracket BWS251-400
- Speaker Cover SPCVR-1001

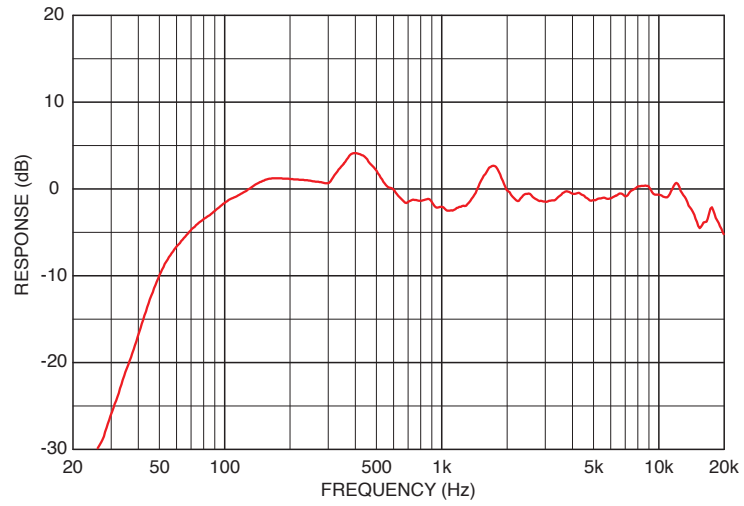
Architectural and Engineering Specifications

The Yamaha CBR10 Loudspeaker shall be a two-way bass-reflex type full-range loudspeaker system having a single 10" cone driver with a 2" voice coil for the low frequencies and a 1" compression driver with a 1" throat for the high frequencies.

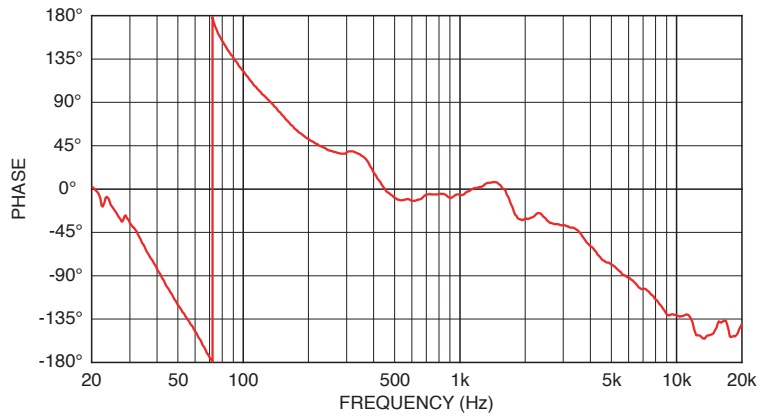
The CBR10 Loudspeaker shall meet the following performance criteria: Sensitivity shall be 94dB SPL at 1 watt/1 meter, frequency response shall be 50Hz to 20kHz at 10dB below rated sensitivity, nominal coverage angle shall be 90° horizontal and 60° vertical via a constant directivity horn. Maximum power ratings shall be 175 watts noise, 350 watts program, and 700 watts peak into 8 ohms.

The loudspeaker shall have a 1/4" phone jack, and a SPEAKON Neutrik NL4MP connector for input. The cabinet shall be constructed of plastic and have a q handle. The cabinet shall also have threaded mounting points for M8 eyebolts (bottom x 2) and a 35 mm pole socket. Dimensions shall be 308 (W) x 493 (H) x 289 (D) mm. Weight shall be no more than 9.4 kg.

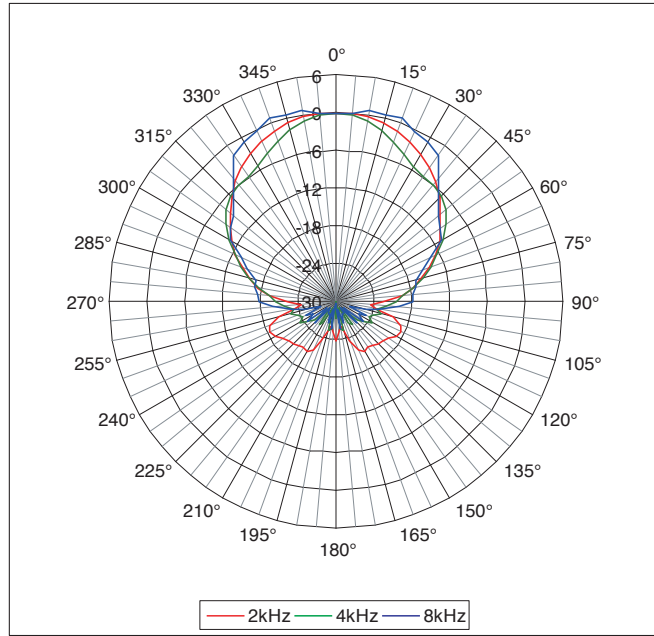
Frequency Response



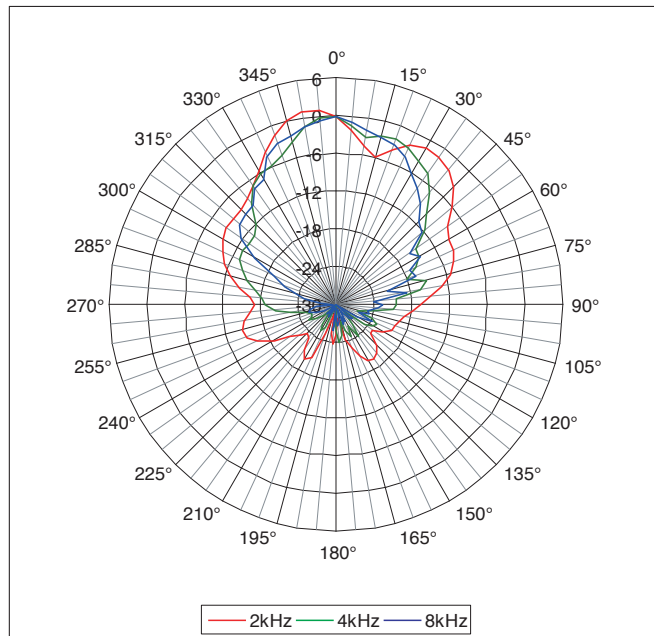
Phase Response



Horizontal Polar Plots



Vertical Polar Plots



*All information subject to change without notice.

*All trademarks and registered trademarks are property of their respective owners.

Created in March, 2017

YAMAHA CORPORATION
P.O.BOX 1, Hamamatsu Japan
www.yamahaproaudio.com